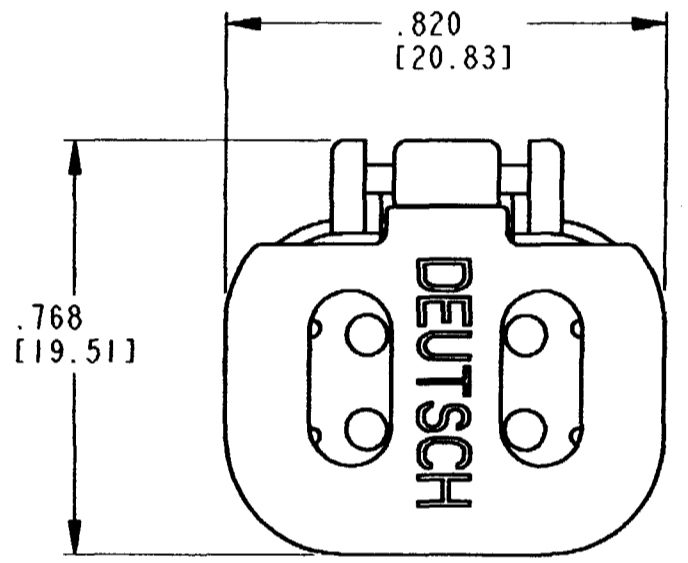
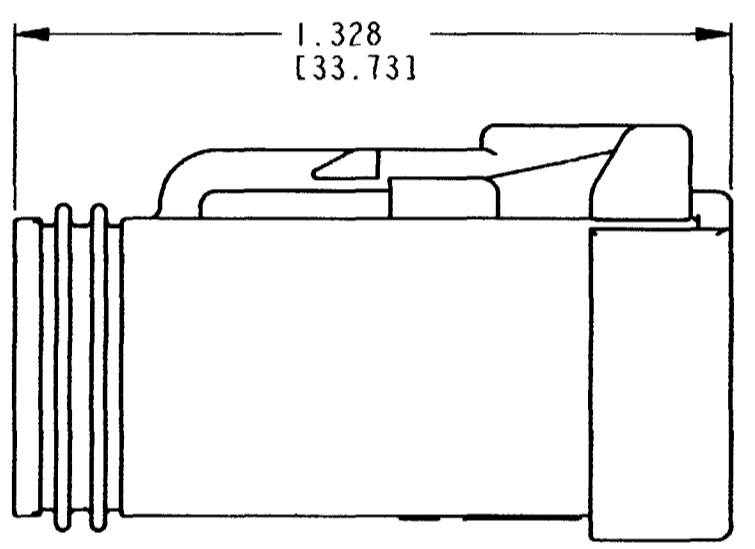
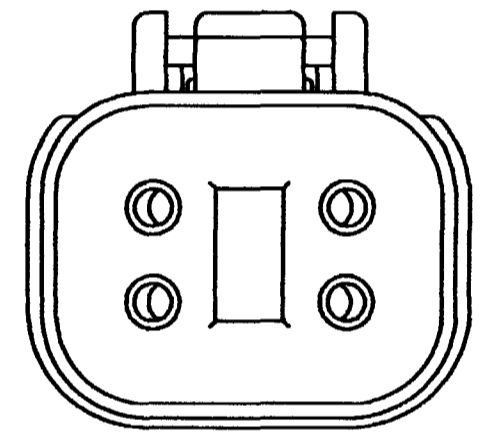


REV
A DT06-4S-C017

REVISIONS			
SYM	DESCRIPTION	DATE	APPROVED
NC	NEW RELEASE PER E.O. P18926	8/2/05	R.D.R.
A	REVISED PER E.O. P19376	10-23-06	RDR



4. MATERIAL: SHELL, WEDGE: PLASTIC; SEAL: RUBBER.
COLOR: SHELL: GRAY; WEDGE: ORANGE.
3. THIS PLUG MATES WITH THE DT04-4P-**** RECEPTACLE (**** = ALL MODIFICATIONS).
CONSULT FACTORY FOR MODIFICATIONS.
2. DIMENSIONS ARE ±.025[0.63] UNLESS OTHERWISE SPECIFIED.
1. DIMENSIONS ARE IN INCHES [MILLIMETERS].

NOTES:

SIGNATURE & DATE		4 WAY PLUG COLOR: GRAY -C017 MOD. DT SERIES	EP	MATL. CODE	
DR	T. YOHANNES 17MAY05		The Deutch Company DEUTSCH I.P.D. 3850 INDUSTRIAL AVE. HEMET, CALIF. 92545		
CHK	<i>[Signature]</i> 10/20/06		B	DT06-4S-C017	
PE	<i>[Signature]</i> 10/10/06			DWG SIZE	CODE 11139
APPD	<i>[Signature]</i> 10/13/06			SHEET OF	
SCALE	NONE	WT			

ENVELOPE